

**Features:**

- ▶ ABS plastic moulding
- ▶ Apertures accepting a wide range of bus bar
- ▶ CTs are ultrasonically welded and unbreakable



**Advantages:**

- ▶ Easy bus bar mounting
- ▶ Highly cost effective
- ▶ Compact in size

**Applications:**

- ▶ Switchgear
- ▶ Distribution system
- ▶ Generator sets
- ▶ Control Panels
- ▶ Control Devices
- ▶ Overload protection

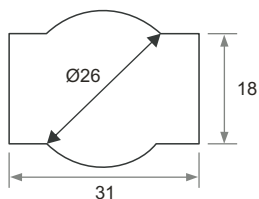
**Input Specifications**

Rated Primary Current      100A to 800A  
 Rated Secondary Output      5A

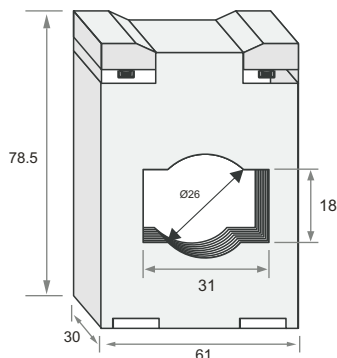
**Technical Specifications**

Rated Burden      1 VA , 1.5 VA ,2.5VA, 5 VA , 10 VA and 15 VA  
 Class of accuracy      1, 0.5, 0.2s  
 Over load withstand      1.2 times rated current for 1 sec  
 Rated Dynamic Current      2.55x Ith  
 Short Circuit Thermal Current Ith      60xIn (rated primary current for 1 sec)  
 Insulation Class      Class E  
 Max operating Voltage      720 V maximum  
 Insulation test voltage      3KV AC for 1 minute  
 Compliance Standard      VE404 and IEC185

**Dimensions**



Bus Bar Dimension (mm) : 31 x 18, Ø 26



Outer Dimension : 61 x (W) x 78.5 (H) x 30 (D)

**Environmental Specification**

Operating Temperature      20°C to 70°C  
 Storage Temperature      0°to 55°C  
 Humidity      <95% RH (non-condensing)

**Ordering Information**

Primary Current	Class 1		Class 0.5	
	Burden (VA)	Ordering Code	Burden (VA)	Ordering Code
60	1	30182630.01		
75	1	30182630.02		
	1.5	30182630.03		
80	1.5	30182630.04		
	2.5	30182630.05		
100	1.5	30182630.06	1.5	30182630.32
	2.5	30182630.07	2.5	30182630.33
150	1.5	30182630.08	1.5	30182630.34
	2.5	30182630.09	2.5	30182630.35
200	2.5	30182630.10	2.5	30182630.36
	5	30182630.11	5	30182630.37
250	2.5	30182630.12	2.5	30182630.38
	5	30182630.13	5	30182630.39
	10	30182630.14	10	30182630.40
300	2.5	30182630.15	2.5	30182630.41
	5	30182630.16	5	30182630.42
	10	30182630.17	10	30182630.43
400	2.5	30182630.18	2.5	30182630.44
	5	30182630.19	5	30182630.45
	10	30182630.20	10	30182630.46
500	2.5	30182630.21	2.5	30182630.47
	5	30182630.22	5	30182630.48
	10	30182630.23	10	30182630.49
600	2.5	30182630.24	2.5	30182630.50
	5	30182630.25	5	30182630.51
	10	30182630.26	10	30182630.52
	15	30182630.27	15	30182630.53
750	2.5	30182630.28	2.5	30182630.54
	5	30182630.29	5	30182630.55
	10	30182630.30	10	30182630.56
	15	30182630.31	15	30182630.57