

**Features:**

- ▶ ABS plastic moulding
- ▶ Apertures accepting a wide range of bus bar
- ▶ CTs are ultrasonically welded and unbreakable



**Advantages:**

- ▶ Easy bus bar mounting
- ▶ Highly cost effective
- ▶ Compact in size

**Applications:**

- ▶ Switchgear
- ▶ Distribution system
- ▶ Generator sets
- ▶ Control Panels
- ▶ Control Devices
- ▶ Overload protection

**Input Specifications**

Rated Primary Current      50A to 1000A  
 Rated Secondary Output      5A

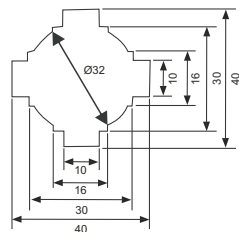
**Technical Specifications**

Rated Burden      1.25, 1.5 VA, 2.5 VA, 3.75, 5 VA, 10 VA, 15VA and 30 VA  
 Class of Accuracy      1 0.5 and 0.2s  
 Over Load Withstand      1.2 times rated current for 1 sec  
 Rated Dynamic Current      2.55x Ith  
 Short Circuit Thermal Current Ith      60xIn (rated primary current for 1 sec)  
 Insulation Class      Class E  
 Max operating voltage      720 V maximum  
 Insulation test voltage      3KV AC for 1 minute  
 Compliance Standard      VE404 and IEC185

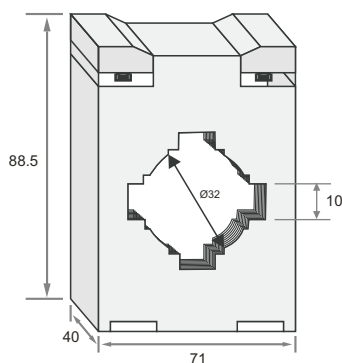
**Environmental Specification**

Operating Temperature      -20C to 70C  
 Storage Temperature      0 to 55C  
 Humidity      <95% RH (non-condensing)

**Dimensions**



Bus Bar Dimension : 40 x 10, Ø32



Outer Dimension : 71 x (W) x 88.5 (H) x 40 (D)

**Ordering Information**

Primary Current	Class 1		Class 0.5	
	Burden (VA)	Ordering Code	Burden (VA)	Ordering Code
50	1.25	40103240.01		
	1.5	40103240.02		
60	1.25	40103240.03		
	1.5	40103240.04		
75	1.5	40103240.05		
	2.5	40103240.06		
80	1.5	40103240.07		
	2.5	40103240.08		
100	1.5	40103240.09	1.5	40103240.48
	2.5	40103240.10	2.5	40103240.49
	3.75	40103240.11		
150	1.5	40103240.12	1.5	40103240.50
	2.5	40103240.13	2.5	40103240.51
	5	40103240.14	5	40103240.52
200			1.5	40103240.53
	2.5	40103240.15	2.5	40103240.54
	5	40103240.16	5	40103240.55
	10	40103240.17		
250			1.5	40103240.56
	2.5	40103240.18	2.5	40103240.57
	5	40103240.19	5	40103240.58
	10	40103240.20		
300	2.5	40103240.21	2.5	40103240.59
	5	40103240.22	5	40103240.60
	10	40103240.23	10	40103240.61
	15	40103240.24		
400	2.5	40103240.25	2.5	40103240.62
	5	40103240.26	5	40103240.63
	10	40103240.27	10	40103240.64
	15	40103240.28		
500	2.5	40103240.29	2.5	40103240.65
	5	40103240.30	5	40103240.66
	10	40103240.31	10	40103240.67
	15	40103240.32	15	40103240.68
600	2.5	40103240.33	2.5	40103240.69
	5	40103240.34	5	40103240.70
	10	40103240.35	10	40103240.71
	15	40103240.36	15	40103240.72
750	5	40103240.37	5	40103240.73
	10	40103240.38	10	40103240.74
	15	40103240.39	15	40103240.75
	5	40103240.40	5	40103240.76
800	10	40103240.41	10	40103240.77
	15	40103240.42		
	30	40103240.43		
1000	5	40103240.44	5	40103240.78
	10	40103240.45	10	40103240.79
	15	40103240.46	15	40103240.80
	30	40103240.47		