



Features:

- ▶ ABS plastic moulding
- ▶ Apertures accepting a wide range of bus bar
- ▶ CTs are ultrasonically welded and unbreakable



Advantages:

- ▶ Easy bus bar mounting
- ▶ Highly cost effective
- ▶ Compact in size

Applications:

- ▶ Switchgear
- ▶ Distribution system
- ▶ Generator sets
- ▶ Control Panels
- ▶ Control Devices
- ▶ Overload protection

Input Specifications

Rated Primary Current 100A to 800A
 Rated Secondary Output 5A

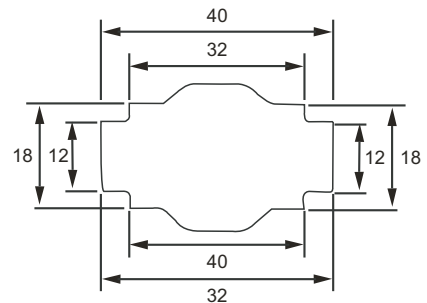
Technical Specifications

Rated Burden 1VA ,1.5 VA, 2.5 VA, 5 VA, 10 VA and 15 VA
 Class of Accuracy 1
 Thermal nominal continuous Rated Current 1.2 times rated current continuously
 Thermal short circuit current 2.55x Ith
 Insulation Class 60xIn
 Max operating voltage Class E
 Enclosure 720V maximum
 Insulation test voltage ABS / FR grade on request
 Compliance Standard 3kV AC for 1 minute
 VE404 and IEC185

Environmental Specification

Operating Temperature 20°C to 70°C
 Storage Temperature 0° to 55°C
 Humidity <95% RH

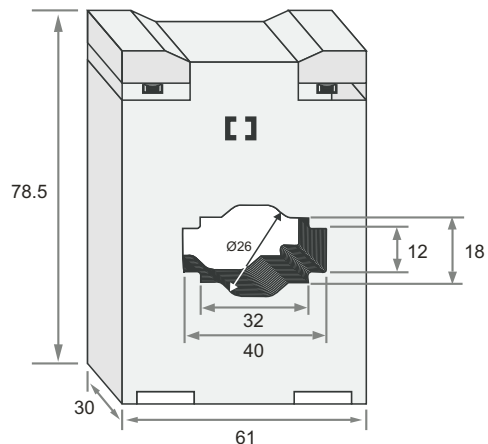
Dimensions



Bus Bar Dimension (mm) : 12 x 40, 18 x 32, Ø 26

Ordering Information

Primary Current	Class 1		Primary Current	Class 1	
	Burden (VA)	Order Code		Burden (VA)	Order Code
100	1	40122630.01	500	1.5	40122630.16
	1.5	40122630.02		2.5	40122630.17
150	1.5	40122630.03		5	40122630.18
	2.5	40122630.04		10	40122630.19
200	1.5	40122630.05	600	1.5	40122630.20
	2.5	40122630.06		2.5	40122630.21
250	1.5	40122630.07		5	40122630.22
	2.5	40122630.08	10	40122630.23	
	5	40122630.09	750	2.5	40122630.24
300	1.5	40122630.10		5	40122630.25
	2.5	40122630.11		10	40122630.26
	5	40122630.12		15	40122630.27
400	1.5	40122630.13	800	2.5	40122630.28
	2.5	40122630.14		5	40122630.29
	5	40122630.15		10	40122630.30
					15



Outer Dimension : 61 x (W) x 78.5 (H) x 30 (D)