



Features:

- ▶ Programmable:
 - CT ratio, Under/Over Current
 - Phase Fail, Phase Reversal
 - Current Asymmetry
 - Starting time delay & Auto reset time
- ▶ Configurable for 1Ø & 3Ø systems
- ▶ Individual faults can be deactivated as per system requirement
- ▶ Programmable delay and hysteresis
- ▶ Auto/manual reset option
- ▶ Consistent reliability with high accuracy
- ▶ 3 digit bright LED display to indicate current
- ▶ LED indication for healthy and faulty status



Advantages:

- ▶ Protection of power assets
- ▶ Detection and isolation of faults
- ▶ Speedy tripping to avoid damage
- ▶ Maintain supply continuity of healthy circuit

Applications:

- ▶ Control Panel
- ▶ Feeder/Motor
- ▶ Generator
- ▶ Transformer
- ▶ Electrical Distribution

Display

Display	3 digits, 1 row 7 segment LED Display
Digit Height	0.56" (14.3 mm)

Input Specification

System	1Ø-2 wire/3Ø-4 wire
Burden on supply	< 3VA
Delay	0.2 to 99 sec

Measuring Parameters

- ▶ Current

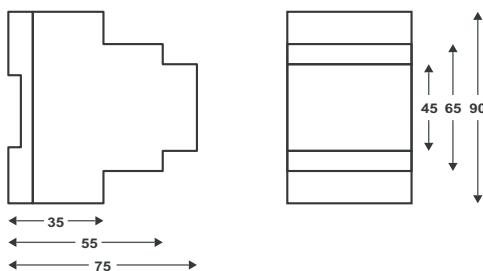
Set Points

Set Point	10%-120% of nominal current
Scroll Time	5 seconds

Mechanical Specification

Dimension	90x45x75mm (LxBxH)
Mounting	DIN Rail (35mm)/2xm4 screw
Weight	200 g

Dimension



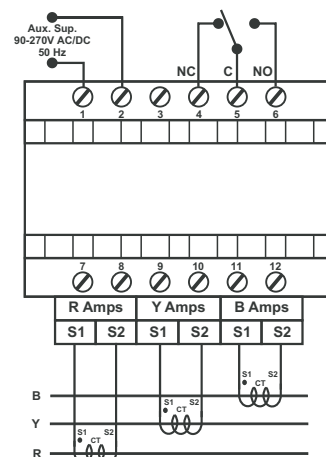
Output Specifications

Relay Contacts	1 Potential free Contact (NO, C & NC)
De-energise	On trip
Contact rating	6A/230V AC/28V DC
Nominal Current	5A

Environmental Specifications

Operating Temperature	-10 deg C to 70 deg C
Storage Temperature	-20 deg C to 55 deg C
Humidity	< 95 RH

Connection Diagram



Connection Diagram

Ordering Code	Description
VIPS AT01-05	Current relay rating 0-5A
VIPS AT01-30	Current relay rating 0-30A